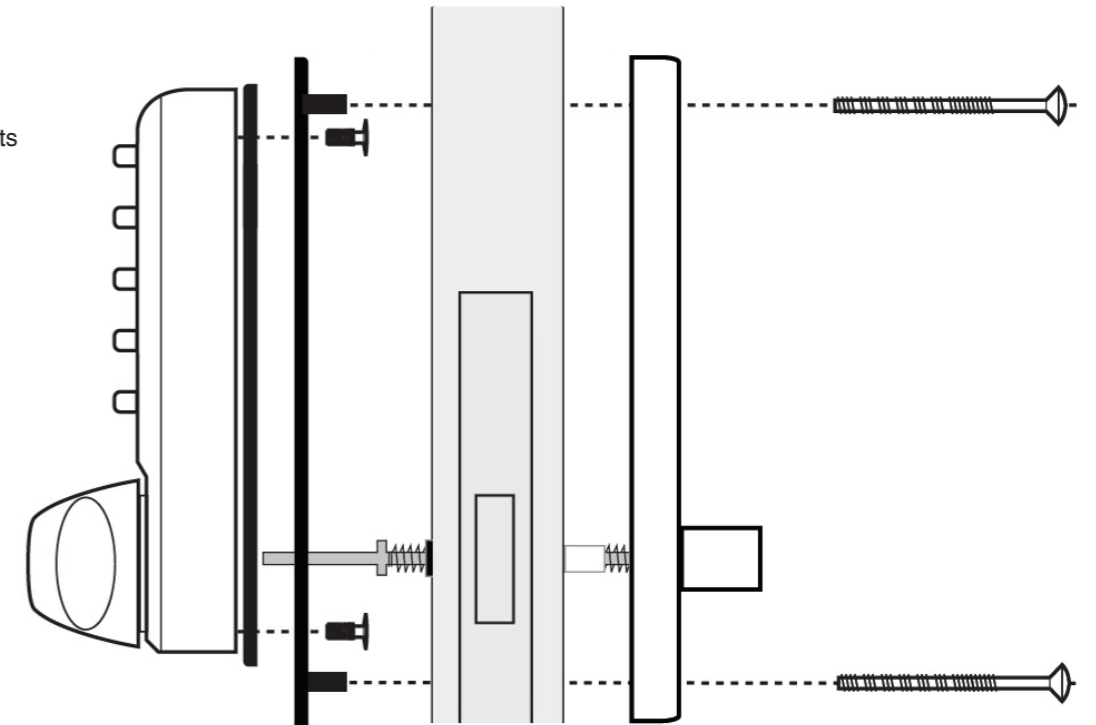


Briton

Briton 9365-990 Push Button Digital Lock Installation Instructions

TOOLS REQUIRED FOR INSTALLATION:

Power drill
25mm, 20mm & 8mm drill bits
Bradawl
Philips screwdriver size 2
Chisel - maximum 25mm
Hammer/Mallet
Stanley knife
Adhesive tape
Pencil
Tape measure



1. PREPARE DOOR

- Prepare door and install mortice lock as per template on page two.

2. POSITIONING THE SPINDLE

- The spring-loaded spindle will fit doors between 35mm and 50mm thick. For doors more than 50mm thick, ring the Helpline for advice. The spring keeps the spindle firmly engaged in the outside handle when the lock is assembled on the door.
- Insert the spindle, with the spring on the external side, through the 20mm hole in the door, and ensure that it engages the mortice lock correctly.

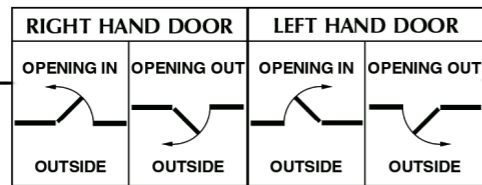
3. FIXING THE LOCK

Cut the fixing bolts to suit the door thickness, length of bolts measured beneath the bolt head should be door thickness plus 15mm.

DO NOT CLOSE THE DOOR UNTIL YOU ARE SURE THAT THE CODE WORKS.

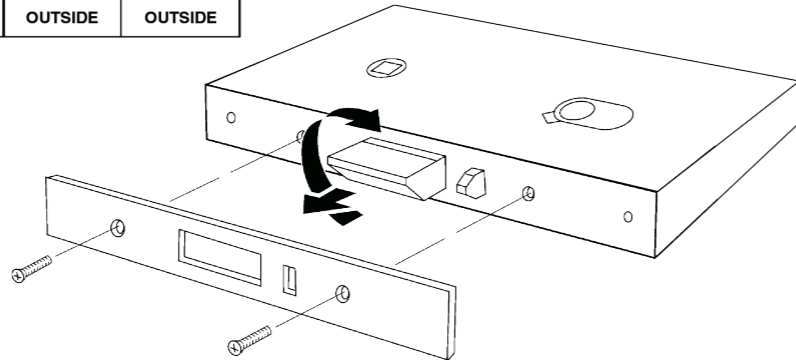
SPECIAL NOTES

- You are advised to test lock (see below) and familiarise yourself with the instructions before starting work.
- Install the 2 x AAA cells supplied.
 - Enter the factory Master Code, 1234 (note: when programming, # must prefix the Master Code). The blue light will flash and the front knob can be turned using finger and thumb.
 - Spindle adaptor - The lock is supplied with a spindle adaptor. To use adaptor slide onto the flat spindle making sure the spindle is at the correct angle to suit the hand of your door - See note 2. Positioning the spindle.



TO REVERSE BOLT

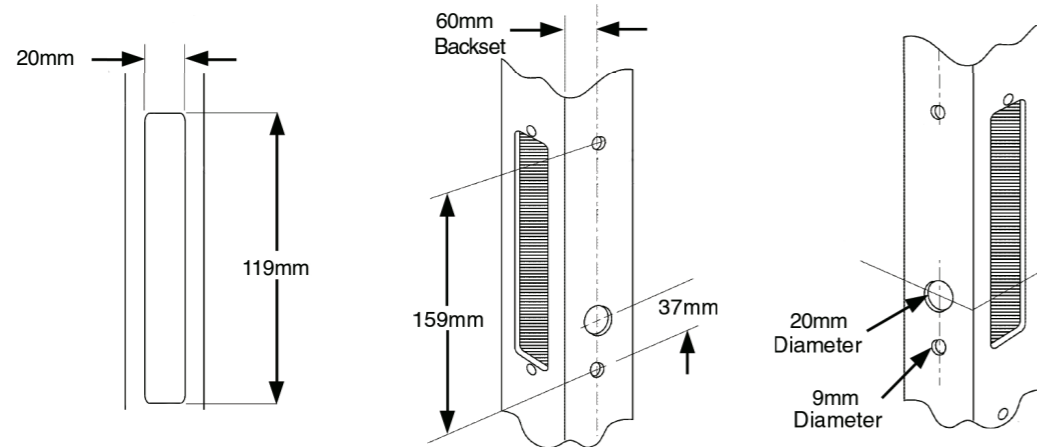
1. REMOVE FOREND
2. FOR EXTENDED BACKSETS REMOVE EXTENSION PACKER
3. PULL & ROTATE BOLT 180° CLOCKWISE



Timber Door Preparation

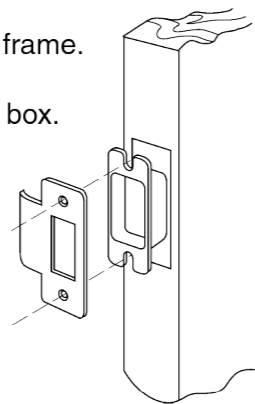
1. Establish required height of the lockset on the door
2. Drill appropriate holes for the selected lockset.

60mm Backset Illustrated.
See template on page three.



Install Strike

1. Mark door frame for strike.
2. Remove wood so strike sits flush with frame.
3. Mortise 15mm deep recess for bolt.
4. Optional - Mortise out for plastic strike box.
5. Secure strike to frame.



IMPORTANT: A MAXIMUM CLEARANCE OF 5mm IS RECOMMENDED BETWEEN LOCK FOREND AND STRIKER PLATE FOR SECURITY REASONS.

